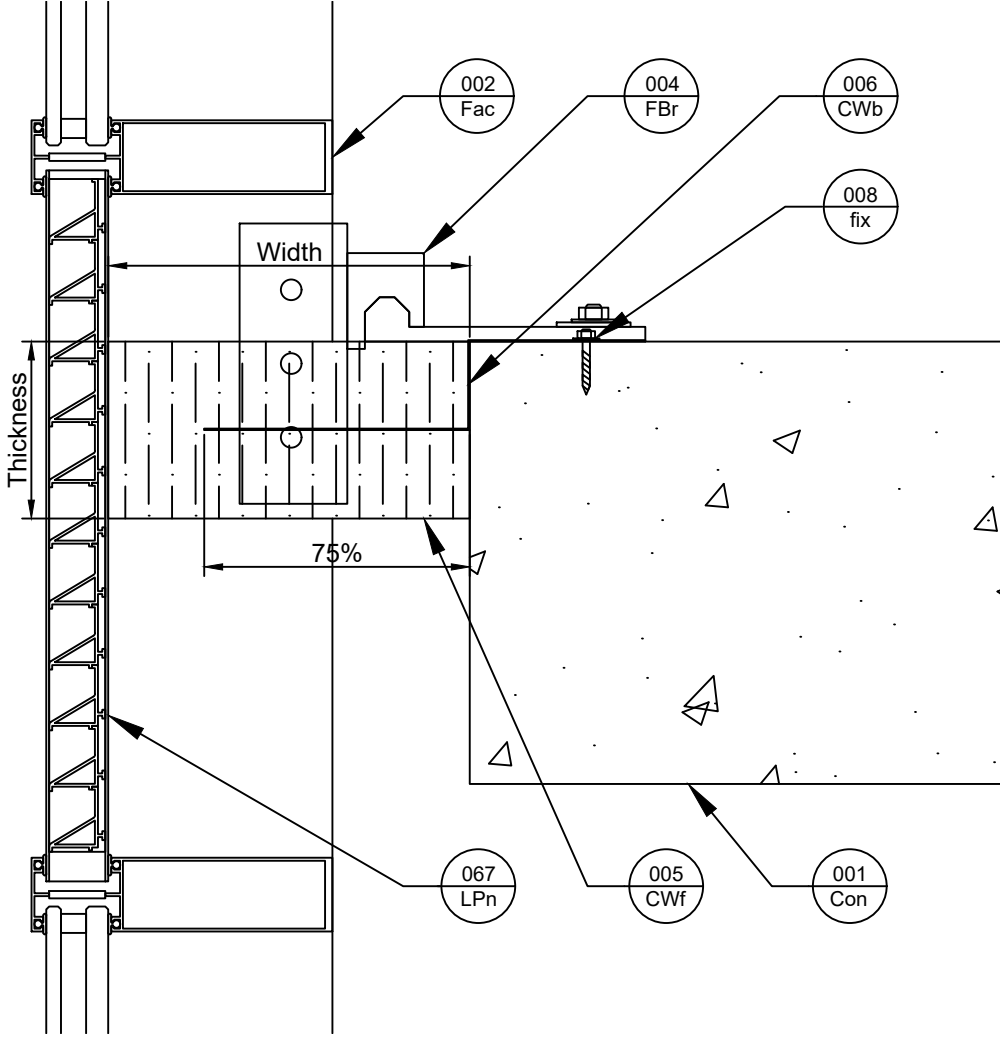
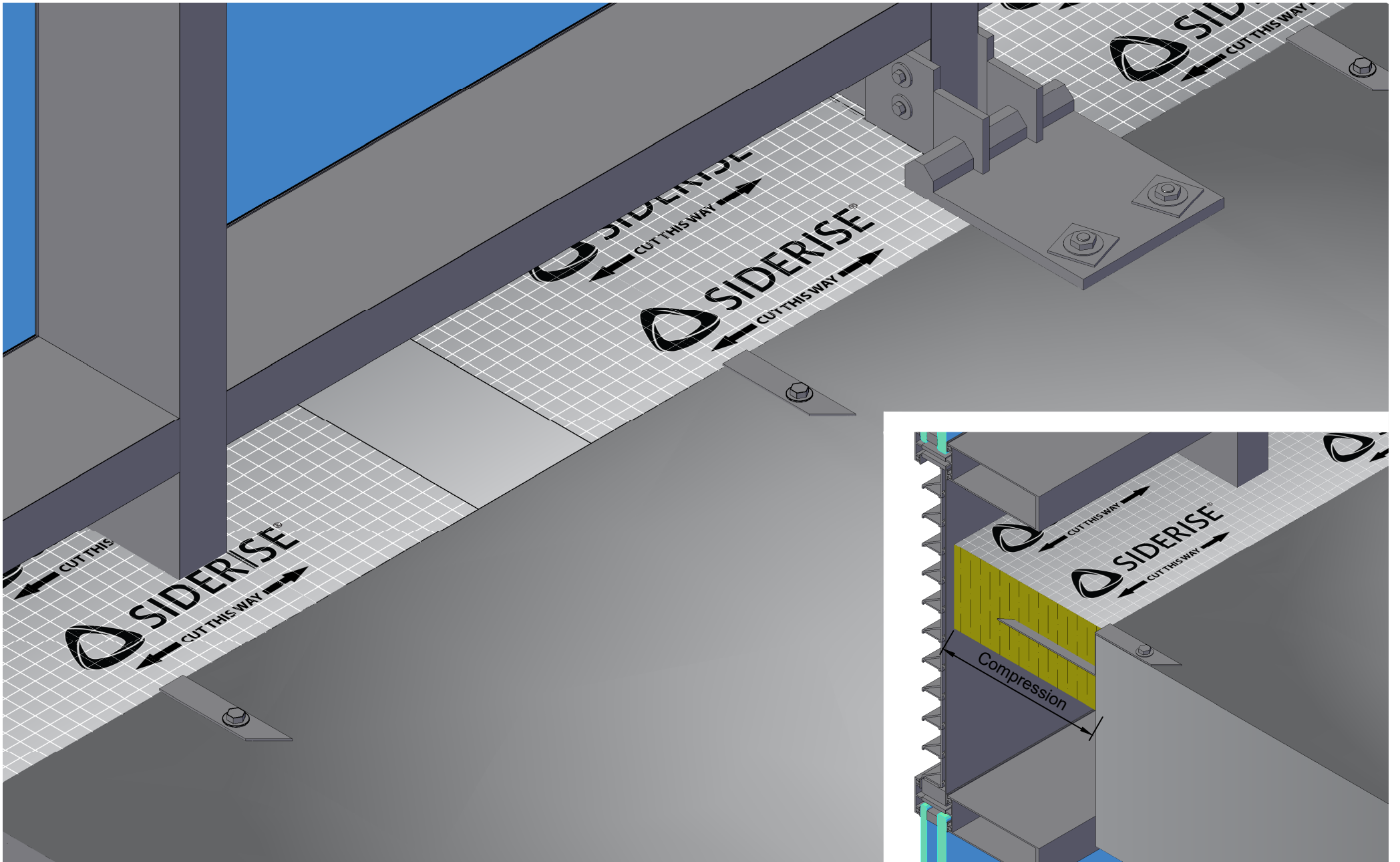
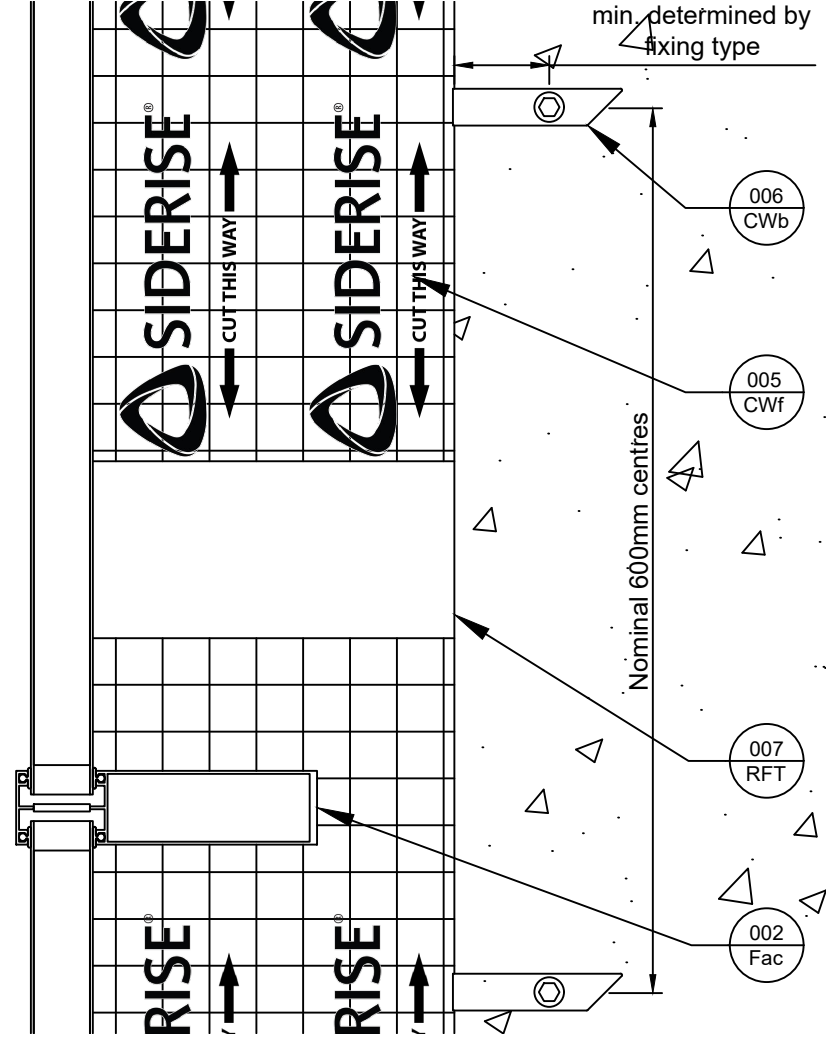


Side View



Plan View



Revisions			
Rev.	Date	By	Description
A	12-02-24	BJC	First Issue
B	02-08-24	CCM	Logo Update



Title  
CW-FS horizontal top of slab to louvered panel

**Siderise Standard Detail**

Sheet  
1/1

**SSD2001**

Date released  
02/08/2024

Rev.  
**B**

