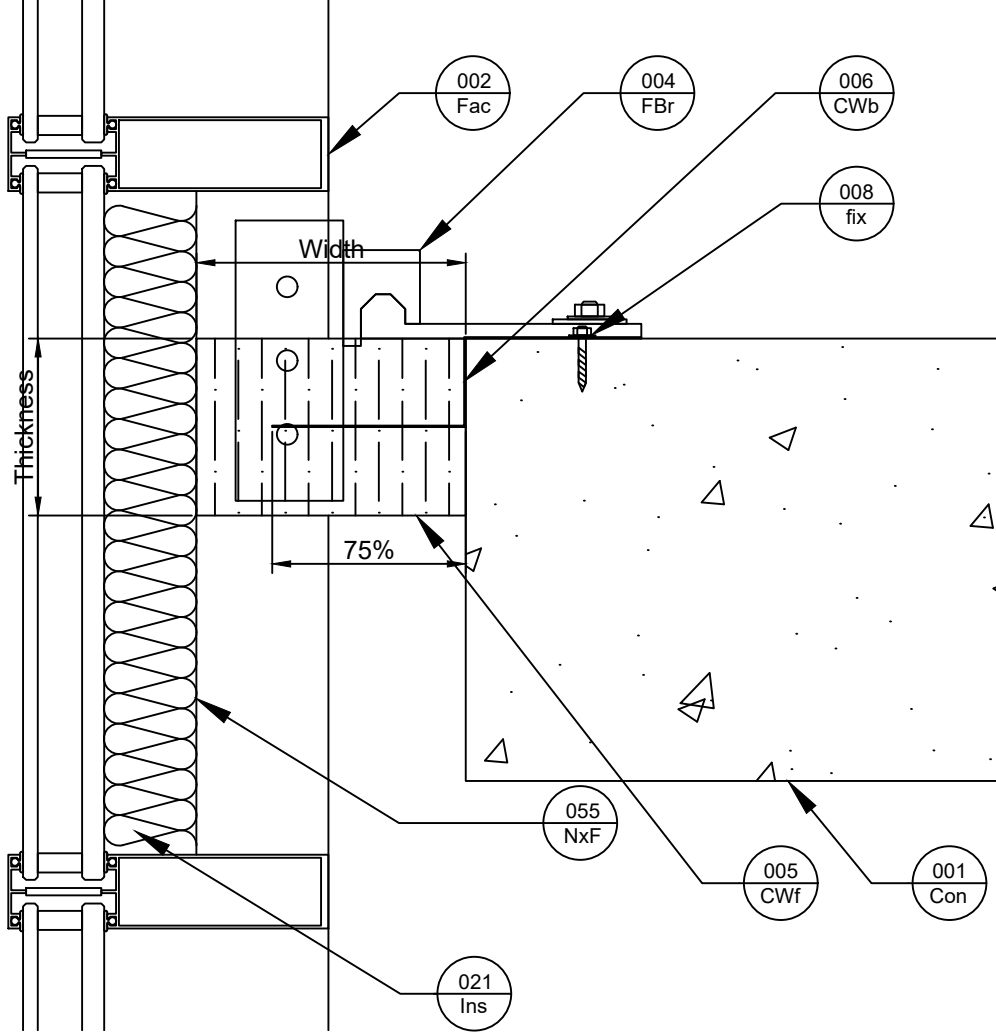
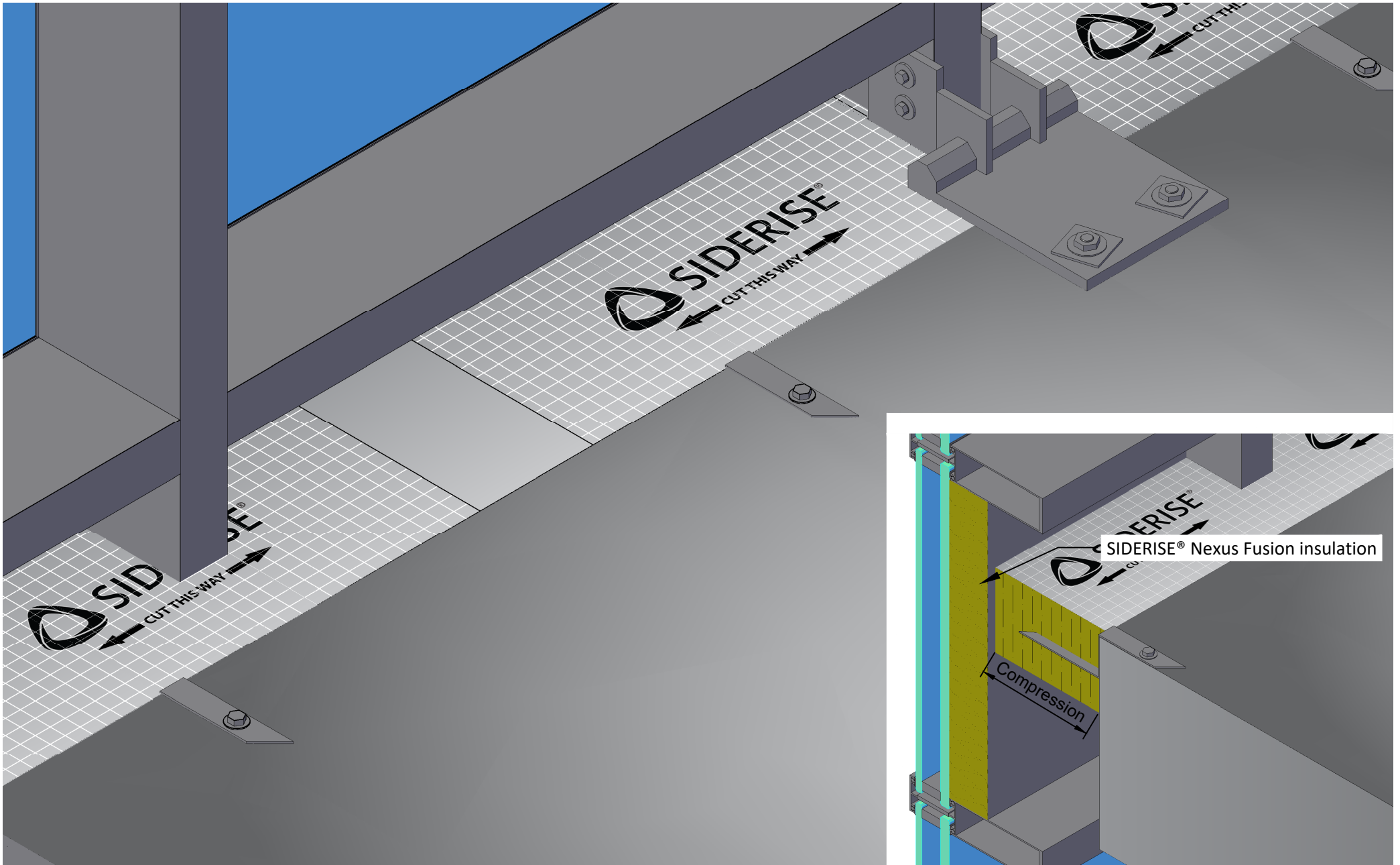
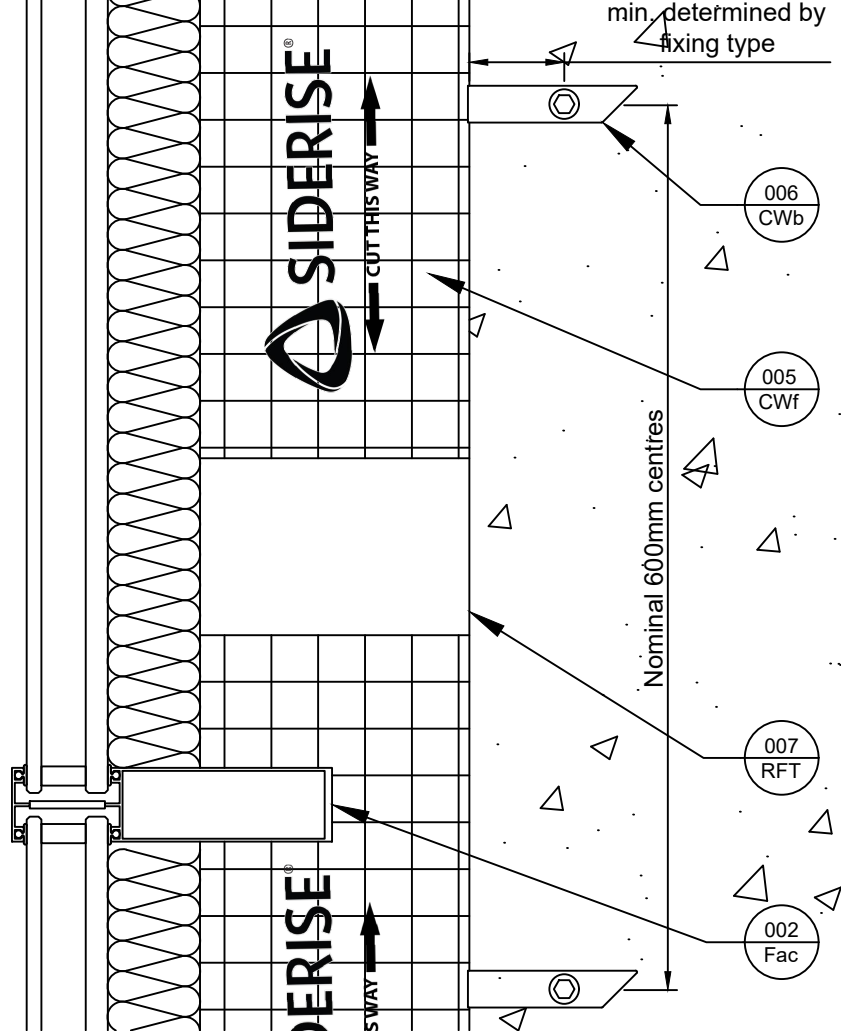


Side View



Plan View



Revisions			
Rev.	Date	By	Description
A	30-06-22	BJC	First Issue
D	30-11-23	BC	Logo Update



Title  
CW-FS horizontal top of slab, top of slab facade bracket  
**Siderise Standard Detail**

Sheet  
1/1

**SSD0073**  
Date released  
30/11/2023

Rev.  
D