

Fixing recommendations for Siderise CBX system

Siderise CBX Quilts are fitted in a manner broadly similar to that used for mineral fibre fire barrier quilts. The product is normally attached to the soffit and allowed to hang as a curtain. Surplus material at the base is returned along the rear of the suspended ceiling.

Head Fixing

The quilt is continuously secured and supported by clamping the product between the soffit and a mild steel angle section. Mechanical fixings should be selected with reference to the background material and weight of the treatment.

Figures 1-4 show typical details and methods of treatment and are offered as a form of practical guidance, if in any doubt in relation to specific details for any projects and/or conditions, advice from our technical department should be sought.

Please also refer to technical drawings SW3137, SW3138, SW3139, SW3140 and SW3141 for further guidance.

Fixing at Side Walls

Normally as for the head fixing described above. A flat metal strap may be used in preference to an angle section.

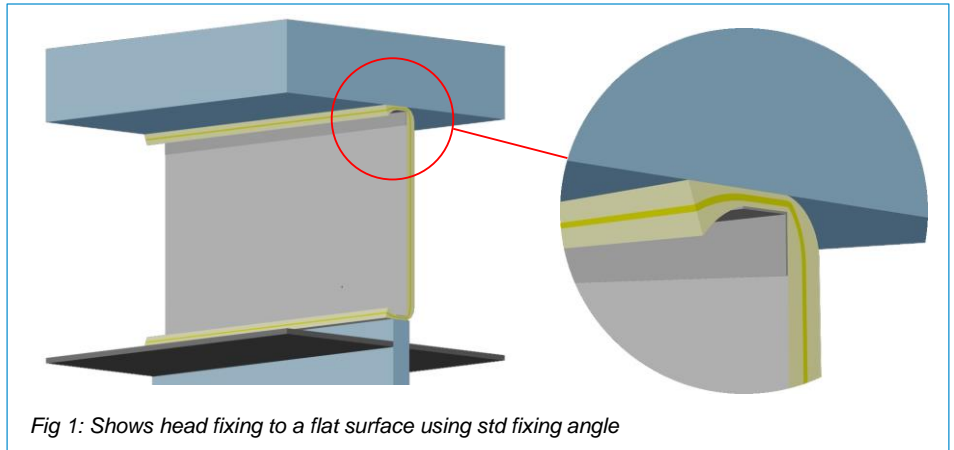


Fig 1: Shows head fixing to a flat surface using std fixing angle

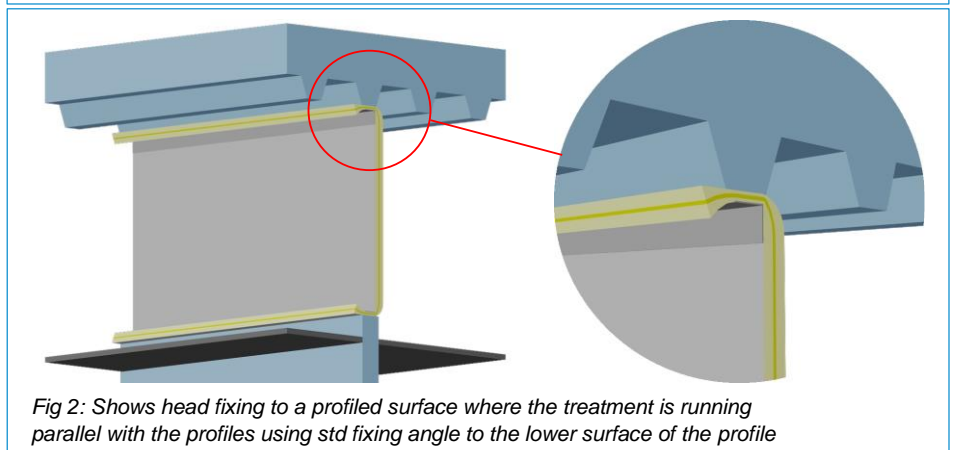


Fig 2: Shows head fixing to a profiled surface where the treatment is running parallel with the profiles using std fixing angle to the lower surface of the profile

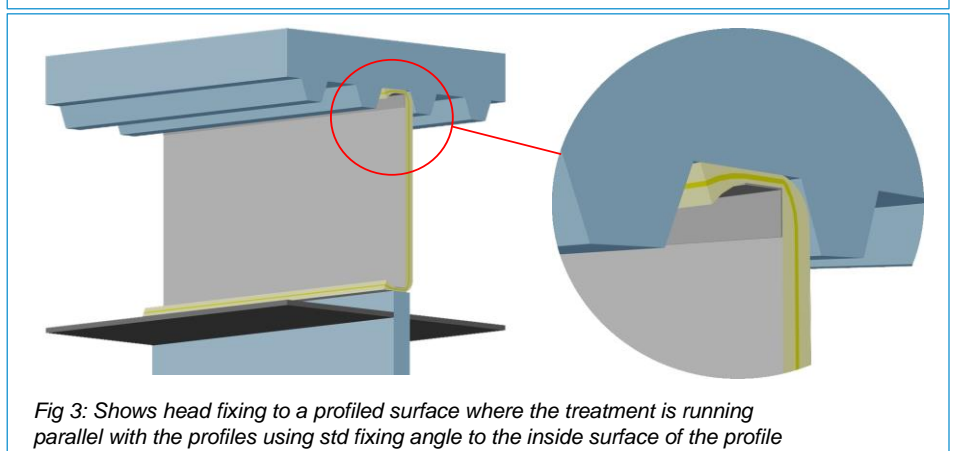


Fig 3: Shows head fixing to a profiled surface where the treatment is running parallel with the profiles using std fixing angle to the inside surface of the profile

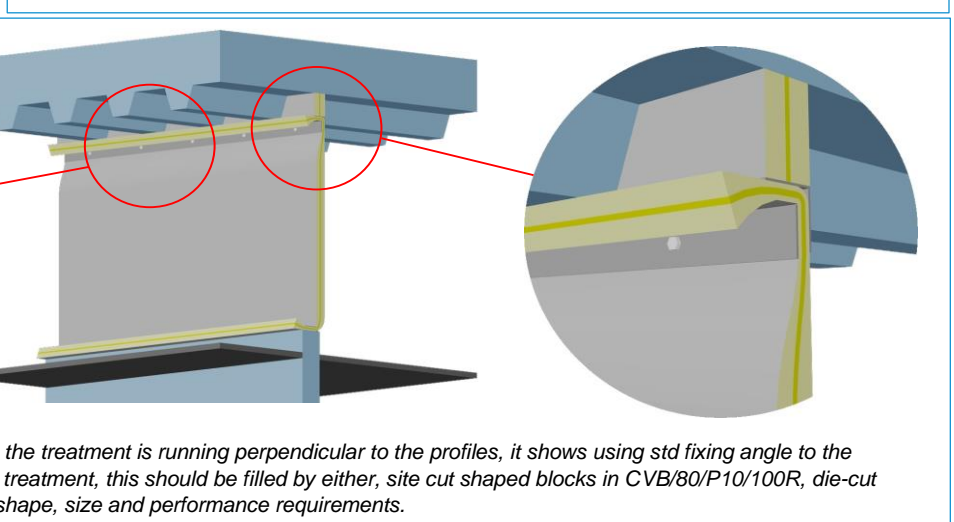


Fig 4: Shows head fixing to a profiled surface where the treatment is running perpendicular to the profiles, it shows using std fixing angle to the lower surface of the profile, leaving a gap above the treatment, this should be filled by either, site cut shaped blocks in CVB/80/P10/100R, die-cut AVCs or High-Density Mineral Wool, depending on shape, size and performance requirements.

Base Fixing

Preferably the product should be fixed by continuous clamping as previously described to ensure optimum acoustic performance. If this is not possible, we recommend that the quilt is returned a minimum 150mm along the rear of the ceiling. The return should always be carefully deformed around any raised elements of the ceiling suspension grid.

With some ceiling systems it is easier to create a near flat region above the partition line. This can often be achieved by overlaying the tiles or formed trays with cut strips of board (such as plasterboard or Cement Particle Board/CPB). Multiple layers of board may be employed, which should be built up until level with the top of the ceiling grid. Any minor gaps should be caulked with an acoustic flexible sealant. This technique can often create a fixing background for clamping without the need to penetrate the tiles or partition head.

Please also refer to technical drawings SW3142, SW3143, SW3144 and SW3146 for further guidance.

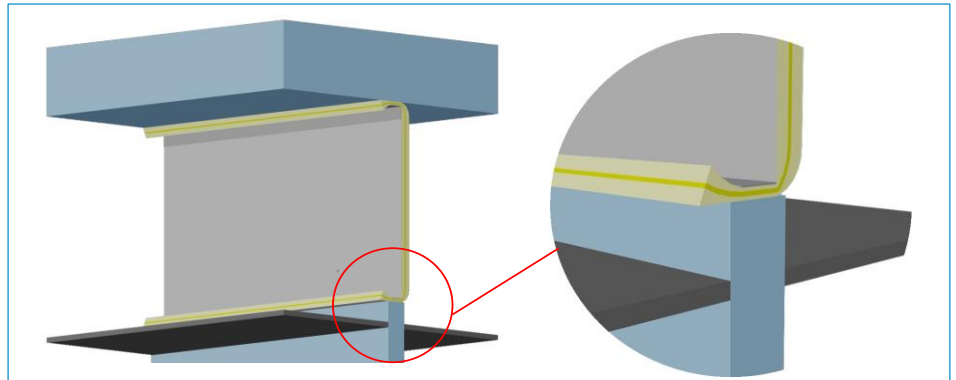


Fig 5: Shows base fixing to a block wall or partition that is protruding above the suspended ceiling line, clamped using std fixing strap

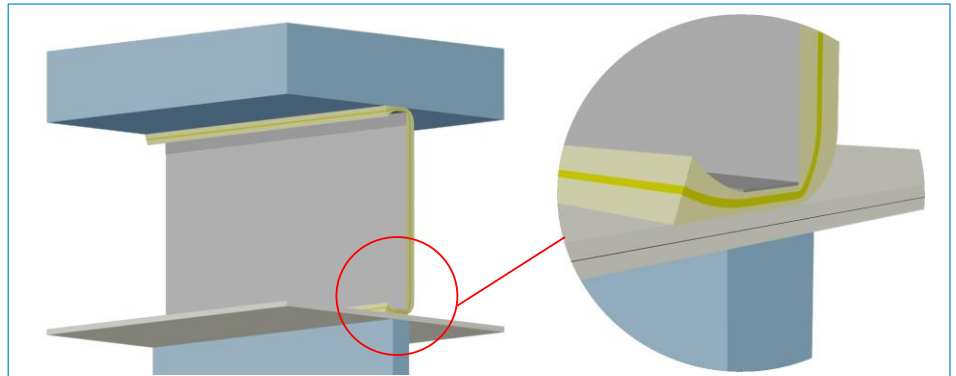


Fig 6: Shows base fixing to a block wall or partition abutting the underside of the suspended ceiling line, clamped using std fixing strap

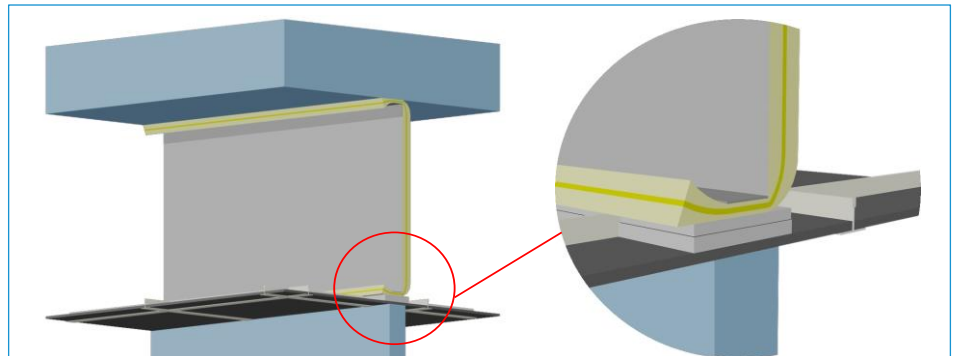


Fig 7: Shows base fixing to a block wall or partition abutting the underside of the suspended ceiling line, where cut pieces of CPB or Plasterboard have been employed to level the suspended around 'T Grid' or other intrusions and clamped using std fixing strap

Vertical Joints

Should be overlap joints with a minimum 75mm lap. The product should not be butt jointed. The overlap should be mechanically fixed at 150 - 200mm centres using a plain insulation pin and non-return washer. The lap should be substantially compressed at the point of these fixings to ensure an effective seal. The overlap joints are then normally dressed on both sides with a minimum 75mm wide self-adhesive aluminium foil tape.

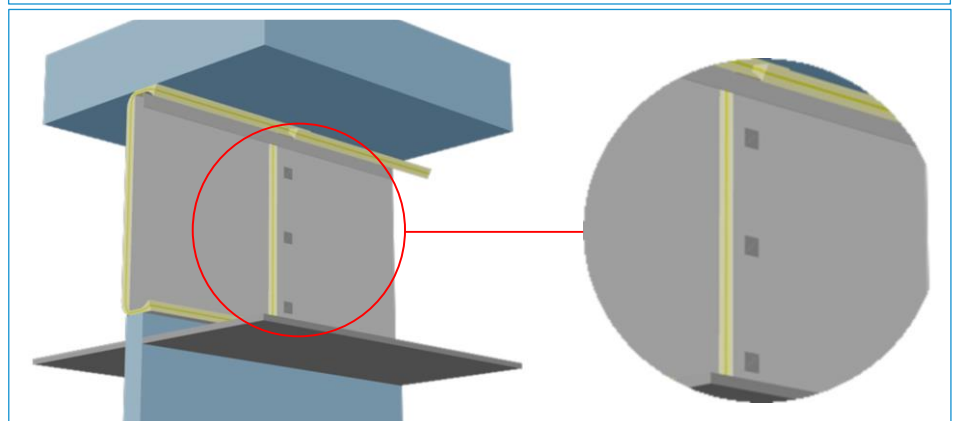


Fig 8: Shows a vertical joint detail, adjoining sheets overlapped by 75mm and mechanically fixed using a plain insulation pin and washers. The overlap joints should then be dressed both sides using foil tape.

Service Penetrations (Fig 9 & 10)

Star or 'X' cuts should be made in the product and the resulting flaps returned along the service.

A strip of the quilt typically 150 - 300mm wide is then wrapped around the service duct or pipe, covering the returns.

All exposed edges should then be dressed with self-adhesive aluminium foil tape.

For some types of service penetrations (such as wide profile ventilation ducts), shallow gaps above or below the service may be present. Such small apertures may prove difficult to close. The use of our CVB barrier in these local conditions will normally alleviate this problem.

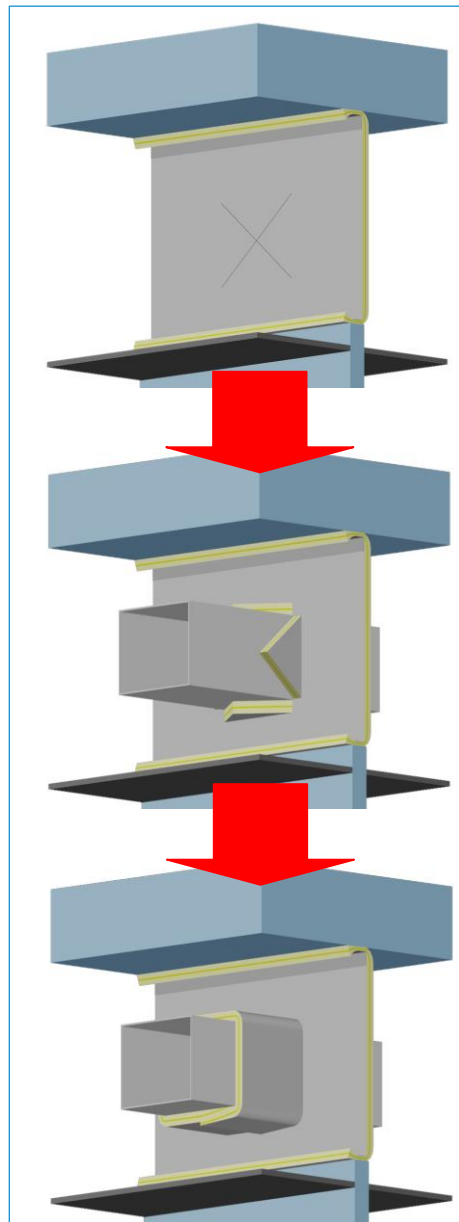


Fig 9: Shows treatment around a square duct, by using a 'X' cut, inserting the duct, keeping the triangular tongues / flaps returned along the service, a strip of quilt, typically 150-300mm is wrapped around the flaps and all exposed edges should be sealed with self-adhesive aluminium foil

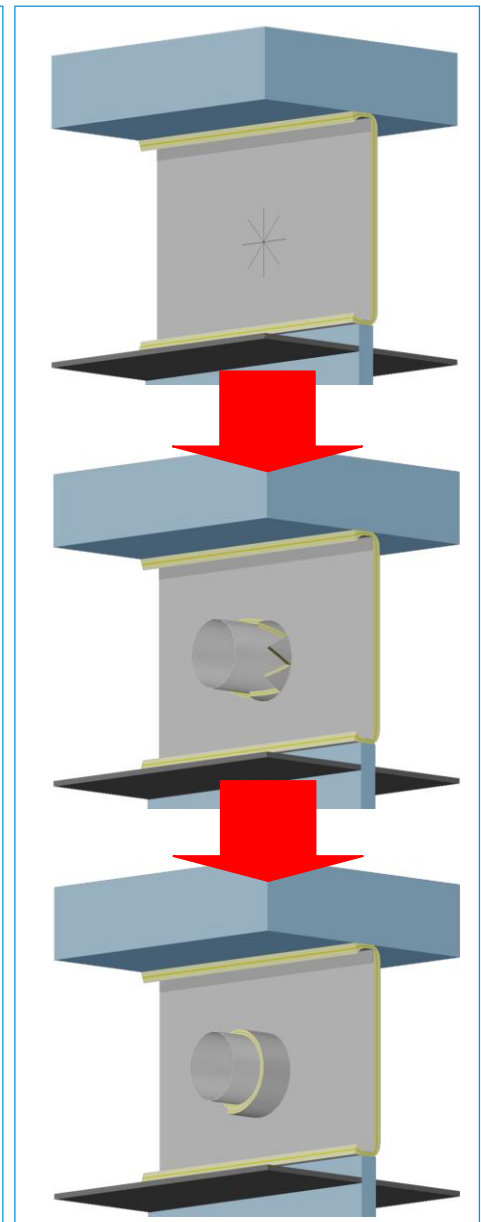


Fig 10: Shows treatment around a circular duct, by using a 'Star' cut, inserting the duct, keeping the triangular tongues / flaps returned along the service, a strip of quilt, typically 150-300mm is wrapped around the flaps and all exposed edges should be sealed with self-adhesive aluminium foil

Cable Trays (Fig 11)

Slits should be cut to accommodate cable trays, the resulting flaps should be treated with a 150-300mm strip of the material.

Special Conditions Our technical department will be pleased to advise on recommended detailing for the following conditions: coffered soffits, hollow rib or profiled decking, services parallel to the partition line, off-set barriers, high density service penetrations, large void heights, continuous lighting trays or diffusers, open-cell ceilings and twin barrier constructions.

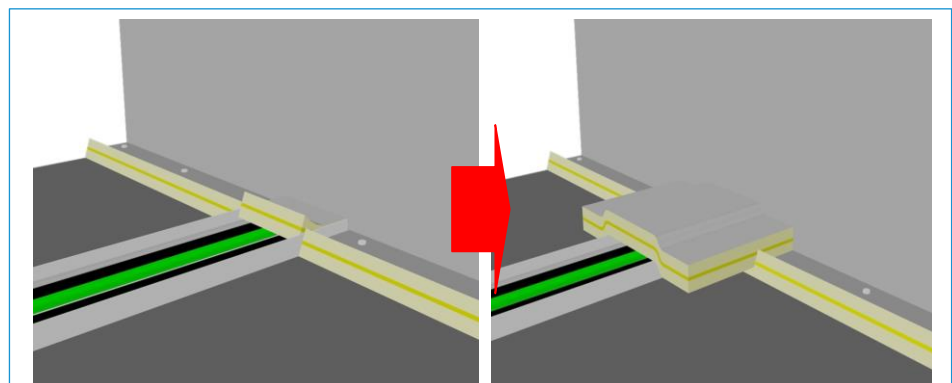


Fig 11: Shows treatment around a cable tray, by using a slit around the tray, keeping the tongue / flap returned along the tray, a strip of quilt, typically 150-300mm is wrapped around the flaps and all exposed edges should be sealed with self-adhesive aluminium foil

Further information

Technical support

For further information please contact our technical team at the address below.

Available CPD's

Contact Siderise for further information on our CPDs:

- Siderise Acoustic Products for Commercial Interiors - Architect Edition
- Siderise Acoustic Products and Performance with 1/3rd Octave Data – Acoustic Consultants Edition

Sales & Technical

SALES SUPPORT

Internal Sales Team

T: +44(0)1473 827695

E: sales.sspl@siderise.com

Technical Team

T: +44(0)1473 827695

E: technical.sspl@siderise.com

BY
YOUR
SIDE



SIDERISE GROUP
Lady Lane Industrial Estate,
Hadleigh, Suffolk IP7 6BQ
T: +44(0)1473 827695
F: +44(0)1473 827179
E: sales.sspl@siderise.com
W: www.siderise.com