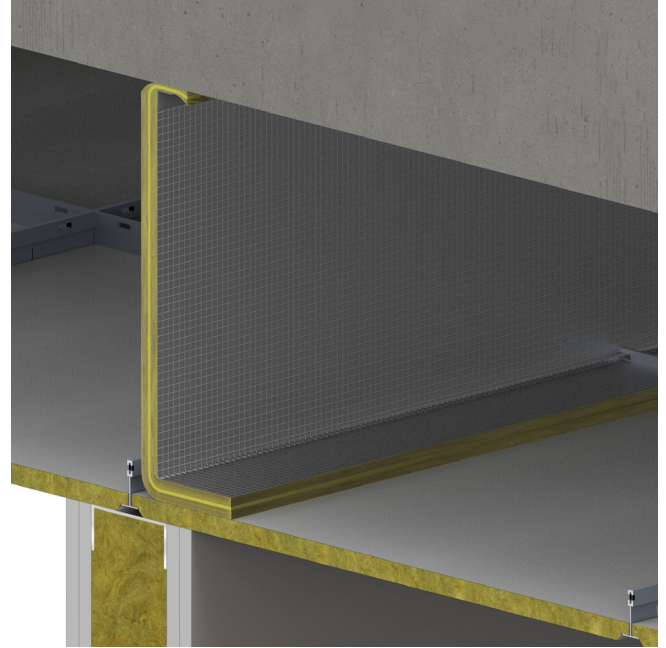


# Siderise CBX flexible acoustic barriers for suspended ceilings

A flexible composite quilt designed for free-hanging in ceiling voids that reduces sound transmission between rooms, suitable in both new build and refurbishment projects.



Siderise CBX flexible acoustic barriers for suspended ceilings are flexible composite quilts designed for free-hanging in ceiling voids above partition lines. They have been specifically developed to provide a simple solution to improving 'room to room' sound separation via a common ceiling void.

All grades of this product offer exceptional sound reduction properties and are suitable for both new build and refurbishment projects. The product is extremely quick and easy to install.

Being flexible and thin the quilts are ideal for remedial treatment requiring only limited disruption to an existing suspended ceiling during installation.

## Application

### **Siderise CBX or Siderise FLX**

Whilst Siderise CBX flexible acoustic barriers for suspended ceilings offer a number of technical and practical advantages, Siderise FLX may prove beneficial for some special situations. For example, in conditions where the barrier is partially visible, the product's standard matt black finish may be preferred, or where a mineral fibre free product is required.

For product advice please contact our SSPL Technical Team.

## Description / Grades

Siderise CBX are multi-layered composite materials. The central layer is a thin flexible heavy septum membrane.

Originally two types of membrane were available, lead foil or a polymeric heavy salt loaded barrier. Currently only the polymeric heavy salt loaded barrier is available.

The barrier incorporates a laminated 'anti-creep' layer. This is designed to prevent possible long-term elongation of the product in its normal free hanging condition. It additionally provides reinforcement to through penetrations at fixing points.

To each side of the membrane is a soft high-tensile glass fibre insulation layer. This is faced as standard on the exposed surface with a reinforced aluminium foil.

### Benefits

- Acoustic performance ( $R_w$ ) 29-33dB.
- $D_{nf,w}$  up to 55dB.
- Improves 'room to room' sound separation.
- Flexible allowing for ease of installation.
- Suitable for new build and refurbishment projects.
- Reaction to Fire classification - B-s1, d0.

## Acoustic performance

The sound separation achieved between adjoining rooms or offices is often severely limited by 'cross talk' via a common ceiling void. This occurs when the transmission loss associated with this sound path is less than that provided by the partition.

This situation can be remedied by either the installation of vertical barriers above the partition lines or by upgrading the existing suspended ceiling by the application of overlay materials. The former option is preferred because a greater and more reliable improvement in sound separation is achievable.

Also the application of continuous overlays to the suspended ceiling may not be possible due to the presence of light units or diffusers requiring venting to the void and can adversely affect the sound absorption characteristics of the suspended ceiling system.

The Sound Reduction Index (SRI) of the new ceiling barrier is not normally required to match that of the partition below. The individual performance of the barrier need only be sufficient to correct the shortfall between the partition value and that of the existing cross talk path.

Final 'room to room' sound transmission performance is specific to the type of suspended ceiling employed. The performance offered by the ceiling itself (normally stated as a  $D_{nc,w}$  or  $D_{nf,w}$  Value) can vary substantially. Typical values are in the range 15 – 40dB.

With knowledge of the suspended ceiling employed, its installation arrangement and potential sound degrading penetrations, an acoustic engineer can make an assessment for the target SRI value for the vertical barriers. Siderise can also provide technical assistance.

Where the ceiling void is also a return air plenum, cross talk attenuators should be installed in the void across partition lines. For less onerous conditions we would be pleased to advise on aperture layouts with sound attenuation characteristics.

The following performance values are solely for the Siderise product tested individually (using the recommended jointing and fixing methods).

Twin barrier arrangements can achieve exceptionally high sound transmission losses. We can offer configurations providing tested SRI's of up to 49dB ( $R_w$ ) for the vertical barriers alone.

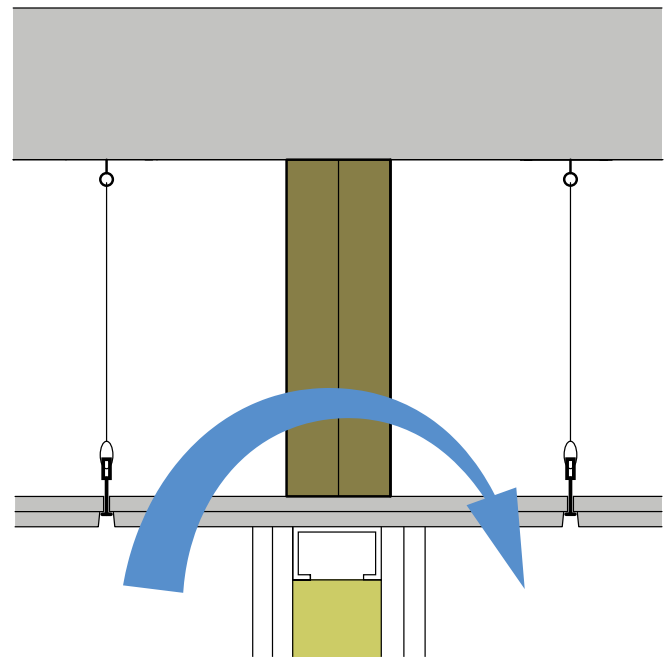


Fig 1. Sound Transmission Path

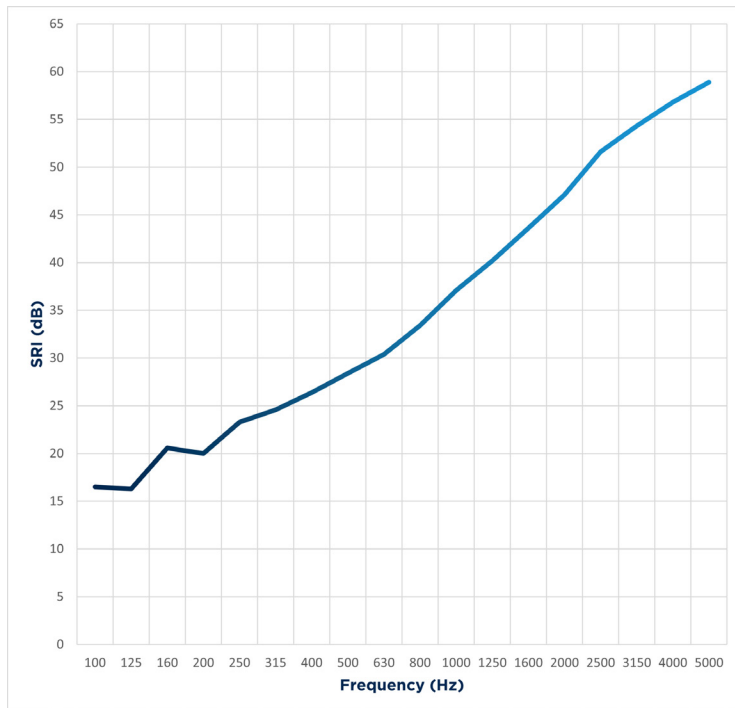
**Table 1 - Acoustic performance**

Weighted Sound Reduction Index

Product Code	Description	Weight (Kg/m <sup>2</sup> )	R <sub>w</sub> (dB)
CB10P	Polymeric	11	33dB (R <sub>w</sub> )

[Mean Sound Reduction Index, 100-3150Hz]  
To BS EN ISO 140-3:1995, BS 2750: Part 3:1995

**Graph 1 - 1/3<sup>rd</sup> Octave Data for CB10P**



**Installation**

Siderise CBX sheets are fitted in a manner broadly similar to that used for mineral fibre fire barrier quilts. The product is attached to the soffit and allowed to hang as a curtain. Surplus material at the base is returned along the rear of the suspended ceiling.

**Head fixing**

The quilt is continuously secured and supported by clamping the product between the soffit and a mild steel angle section. Mechanical fixings should be selected with reference to the background material. See Fig 2.

**Fixing at side walls**

The quilt is fixed in the same way as the head fixing described above. A flat metal strap may be used in preference to an angle section.

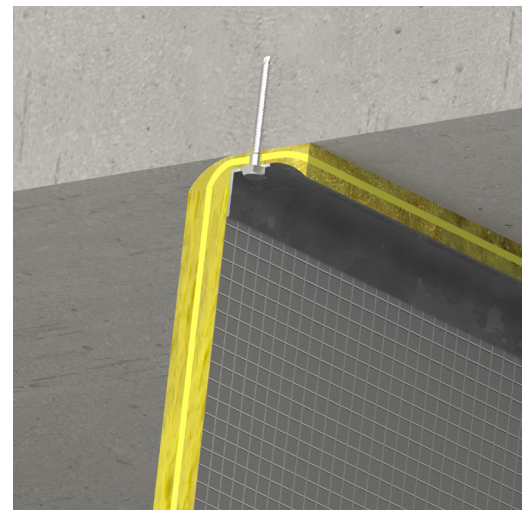


Fig 2. Head Fixing

### Base fixing

The product should be fixed by continuous clamping as previously described to ensure optimum acoustic performance. If this is not possible, we recommend that the quilt is returned a minimum 150mm along the rear of the ceiling. The return should always be carefully deformed around any raised elements of the ceiling suspension grid.

With some ceiling systems it is easier to create a near flat region above the partition line. This can often be achieved by overlaying the tiles or formed trays with cut strips of board (such as plasterboard or MDF). Multiple layers of board may be employed, which should be built up until level with the top of the ceiling grid. Any minor gaps should be caulked with an acoustic flexible sealant. This technique can often create a fixing background for clamping without the need to penetrate the tiles or partition head.

### Vertical joints

Vertical joints should be overlap joints with a minimum 75mm lap. The product should not be butt jointed. The overlap should be mechanically fixed at 150 - 200mm centres using a plain insulation pin and non-return washer. The lap should be substantially compressed at the point of these fixings to ensure an effective seal. The overlap joints are then normally dressed on both sides with 120 mm wide Siderise foil tape.

### Service penetrations

Star or 'X' cuts should be made in the product and the resulting flaps returned along the service. A strip of the quilt typically 150-300mm wide is then wrapped around the service duct or pipe, covering the returns. All exposed edges should then be dressed with Siderise foil tape.

For some types of service penetrations (such as wide profile ventilation ducts), shallow gaps above or below the service may be present. Such small apertures may prove difficult to close. The use of Siderise CVB acoustic ceiling void barrier in these local conditions will alleviate this problem.

### Ceiling void air plenums

As Siderise CBX are faced on both sides and the joints are normally taped, the installed product is effectively dust free. However, for critical applications the product can be made fully enclosed by pre-wrapping all edges with Siderise foil tape before final installation.

### Special conditions

Please contact our SSPL Technical Team for advice on recommended detailing for the following conditions:

- Coffered soffits
- Hollow rib or profiled decking.
- Services parallel to the partition line.
- Off-set barriers.
- High density service penetrations.
- Large void heights.
- Continuous lighting trays or diffusers.
- Open-cell ceilings.
- Twin barrier constructions.

**Technical specification**

<b>Form Supplied</b>	Sheets 2000mm x 1200mm
<b>Colour / Finish</b>	Silver / Aluminium Foil
<b>Thickness</b>	Nominal 40mm (Barrier can be readily compressed)
<b>Surface weight</b>	11Kg/m <sup>2</sup>
<b>Central mass membrane</b>	Polymeric
<b>Thermal conductivity</b>	20 = 0.035 w/mK
<b>Fire resistance</b>	None - Acoustic only barrier
<b>Reaction to Fire (EN13501-1:2018)</b>	B-s1, d0

**Handling**

Siderise CBX are fairly heavy barriers but very flexible and care should be taken when handling to protect the product from damage and the handler from personal injury.

Weight per sheet (2000mm x 1200mm std)

CB10 = 26kg per sheet

The sheets are packed directly onto pallets or packing crates, either fully flat, folded in 2 or folded in 3. Before removing / lifting from the pallet or crate, each sheet should be rolled or folded down the length of the sheet to create a package approximately 1200mm long x 300 - 500mm width/diameter. The product can then be removed / lifted. All standard health and safety lifting / handling techniques should be observed.

**Further information**

**Technical support**

For further information please contact our technical team at the address below.

**Available CPD's**

Contact Siderise for further information on our CPDs:

- Siderise Acoustic Products for Commercial Interiors - Architect Edition
- Siderise Acoustic Products and Performance with 1/3<sup>rd</sup> Octave Data - Acoustic Consultants Edition

**Sales & Technical**

<b>Sales support</b>	<b>Technical support</b>
Internal Sales Team	Technical Team
+44(0)1473 827695	+44(0)1473 827695
sales.sspl@siderise.com	technical.sspl@siderise.com

**Siderise (Special Products) Limited**

Lady Lane Industrial Estate, Hadleigh, Suffolk IP7 6BQ  
United Kingdom

The information published herein is given in good faith and is believed to be accurate at the time of publication. Please check that this version is current. Siderise has a policy of continuous product improvement and reserves the right to alter or amend the specifications of products without prior notice. Siderise does not accept responsibility or the consequences of using the products and systems described outside of any given recommendations within this document or its other official documentation. Recommendations for use should be verified in regard to the suitability and compliance with actual requirements, specifications and any applicable laws, codes, and regulations. Expert advice should be sought where there is any doubt about the correct specification or installation of Siderise products and systems.