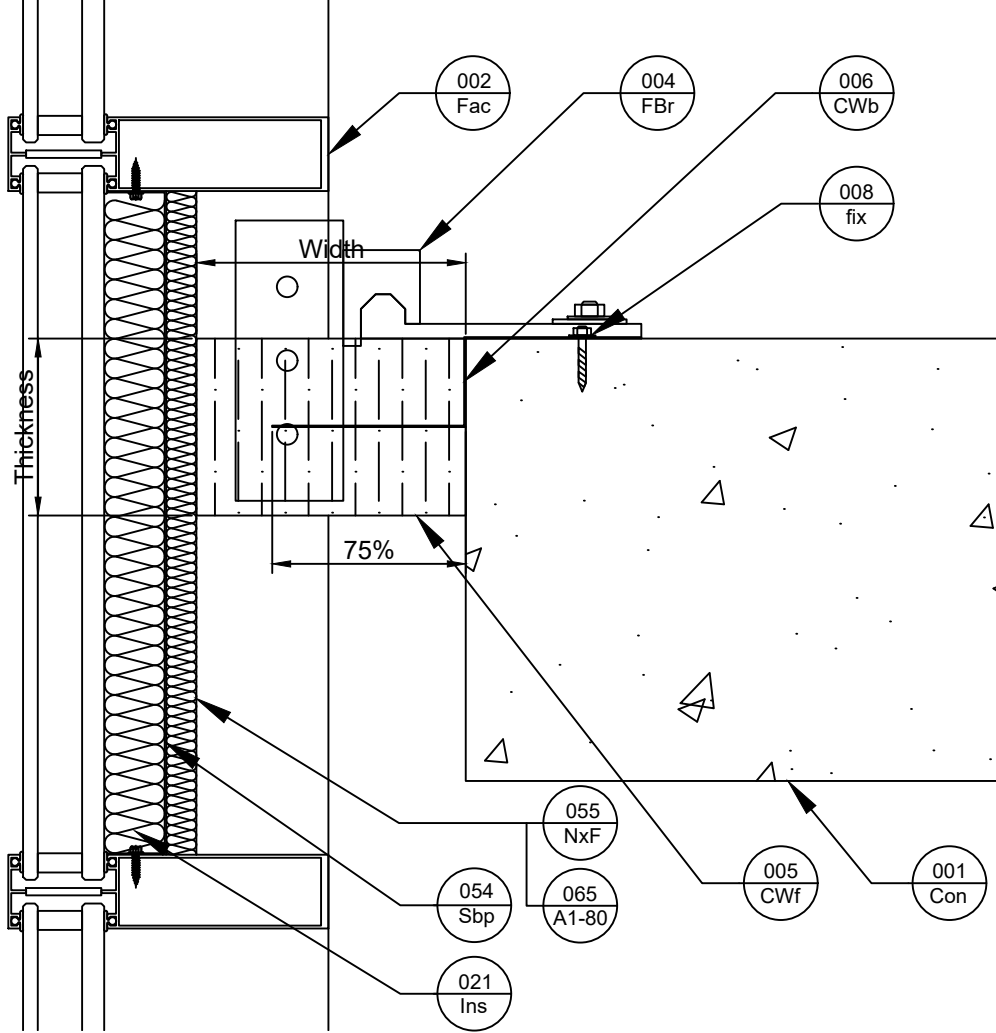
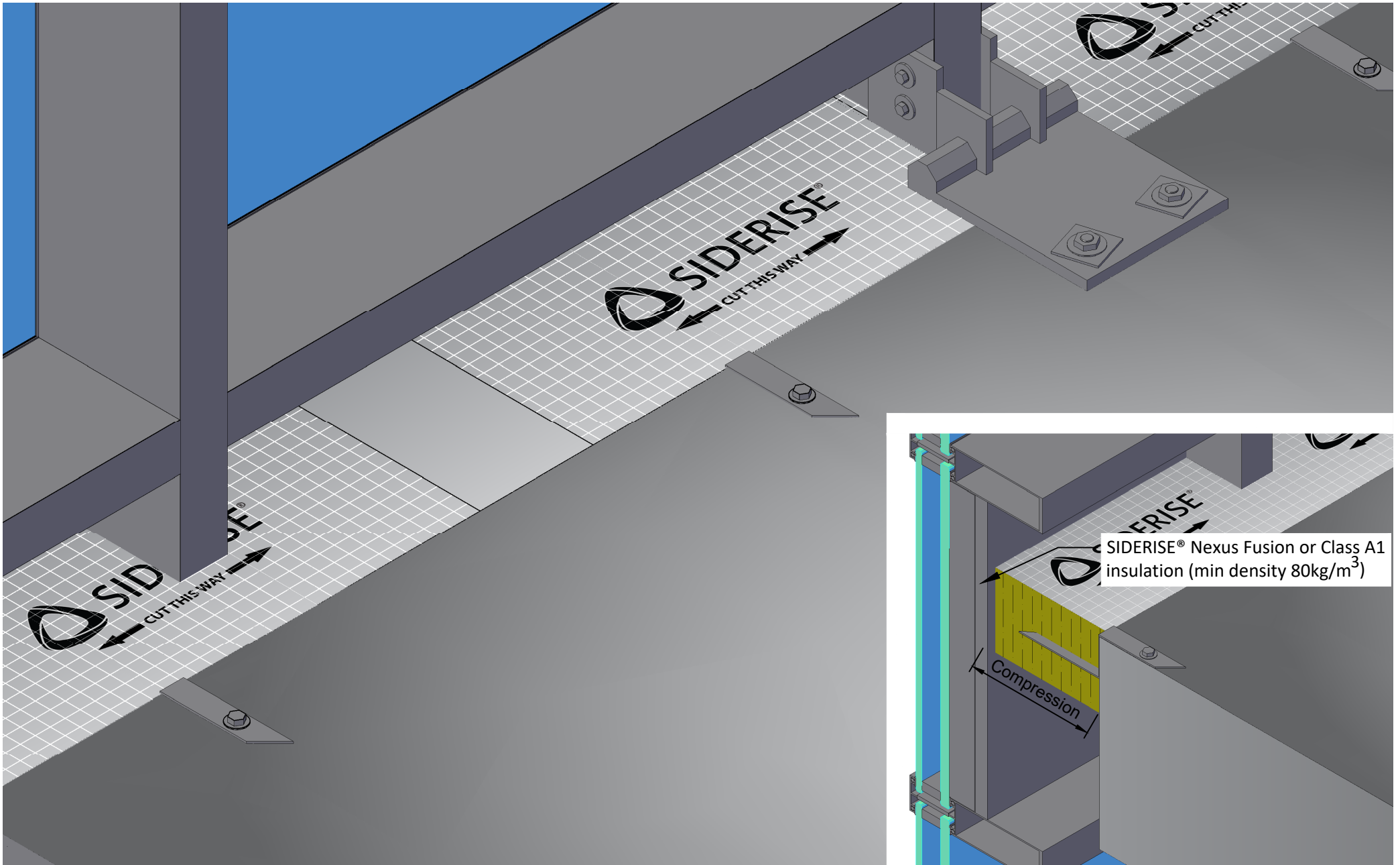
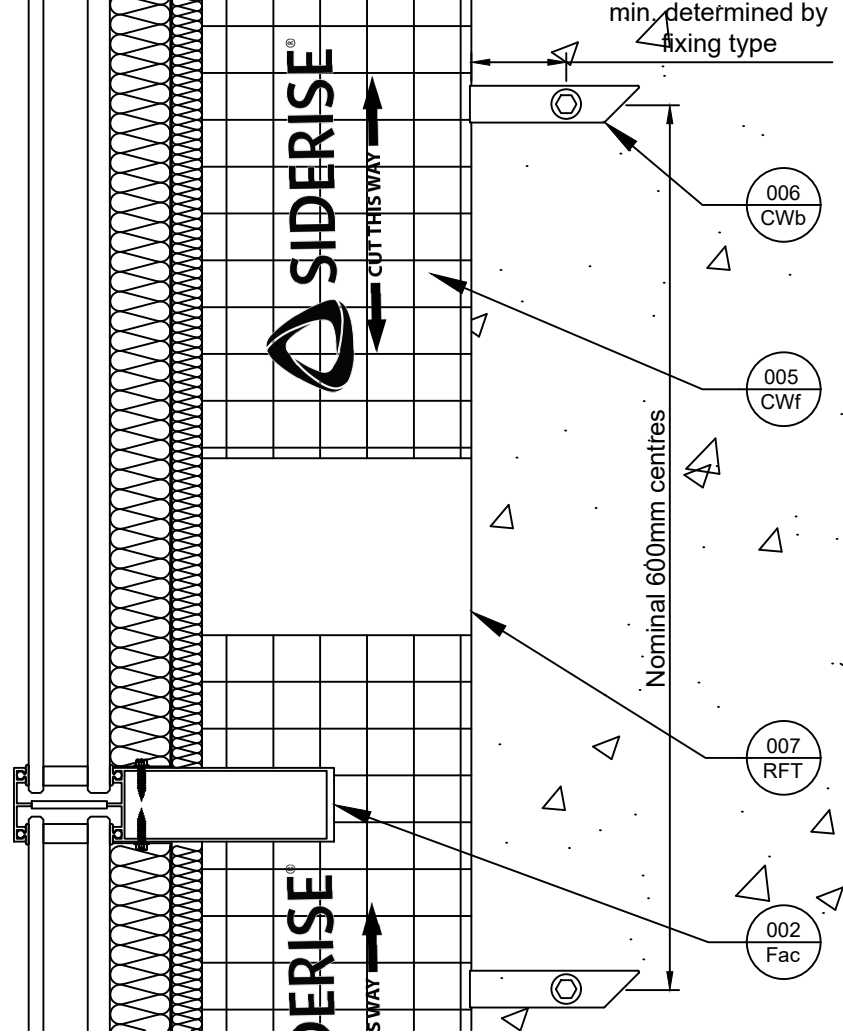


Side View



Plan View



Revisions			
Rev.	Date	By	Description
C	18-01-23	BC	Note amendments
D	30-11-23	BC	Logo Update



Title
CW-FS horizontal top of slab, top of slab facade bracket
Siderise Standard Detail

Sheet
1/1

SSD1829
Date released
30/11/2023

Rev.
D