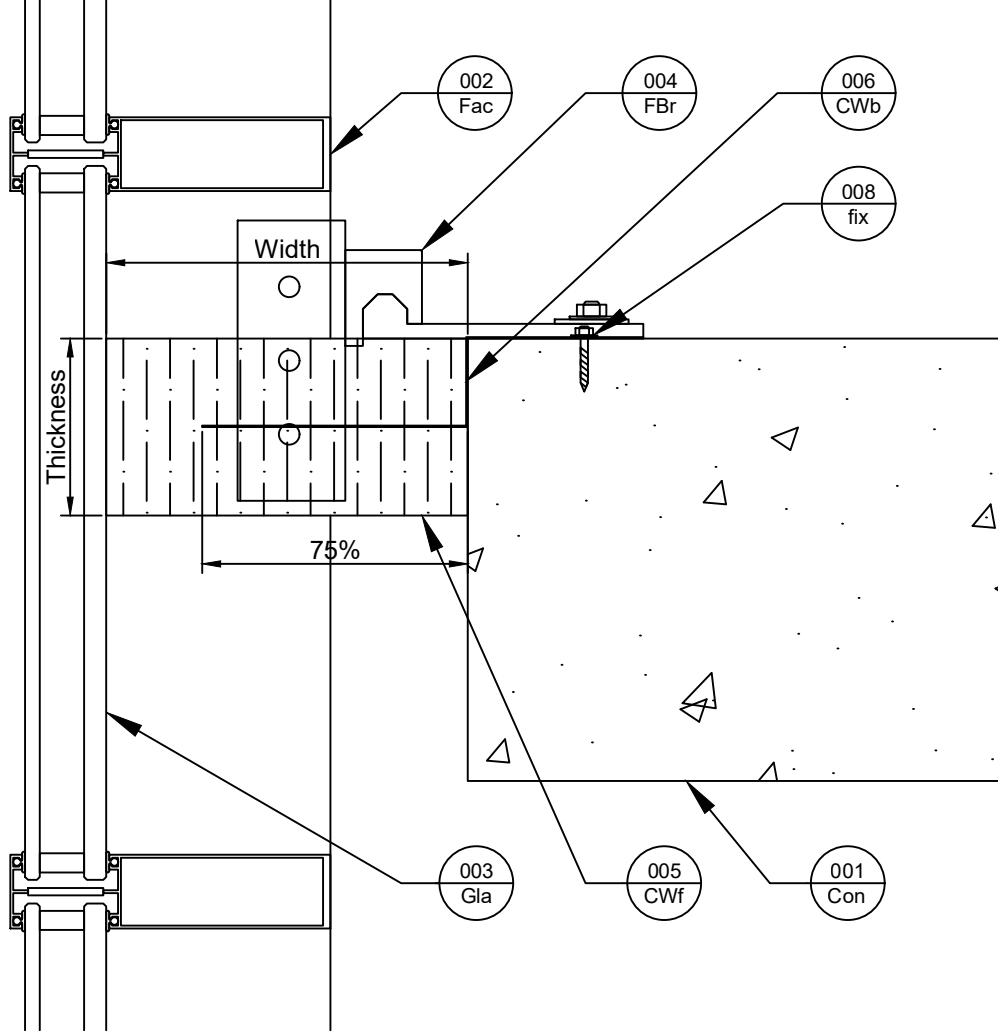
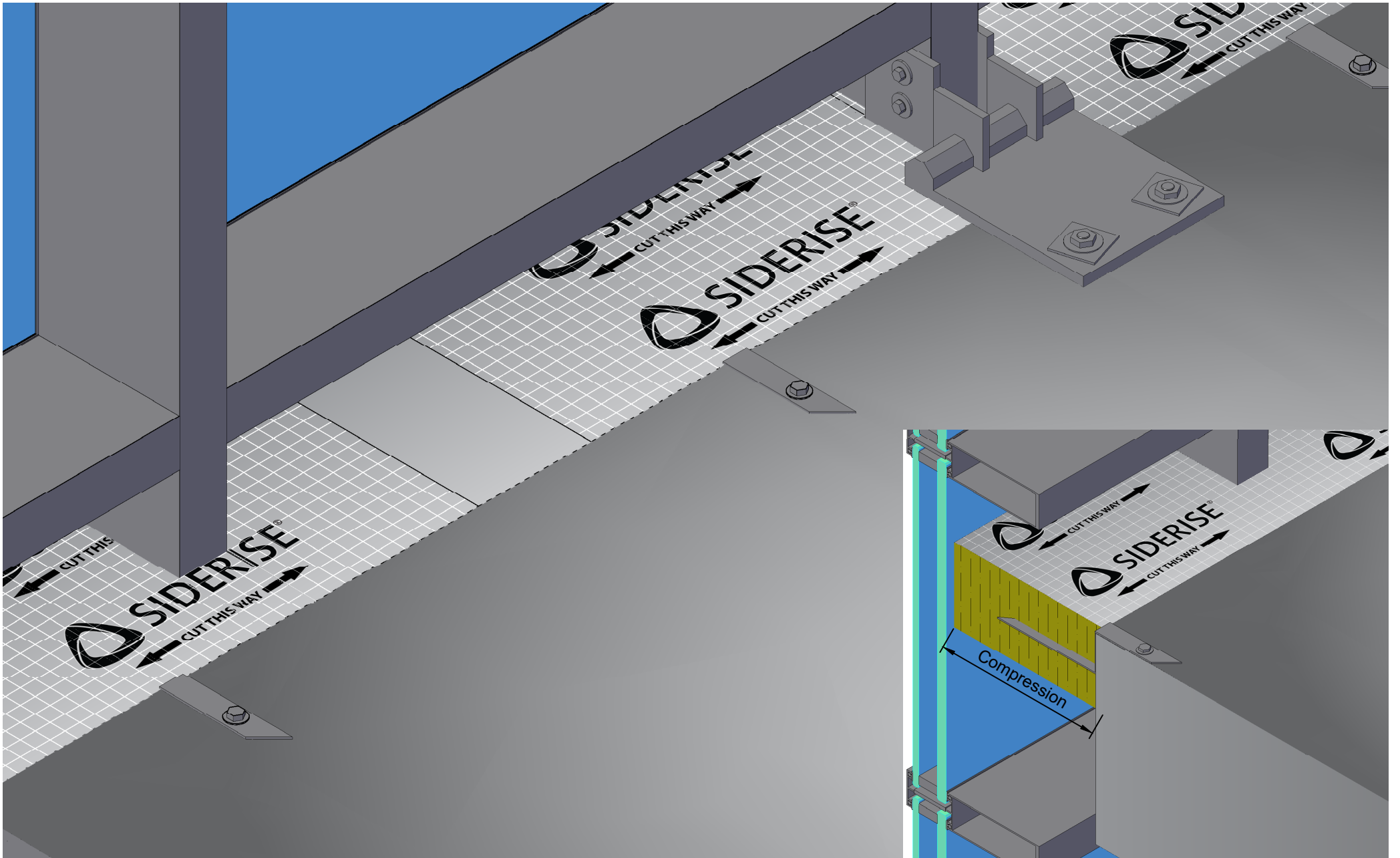
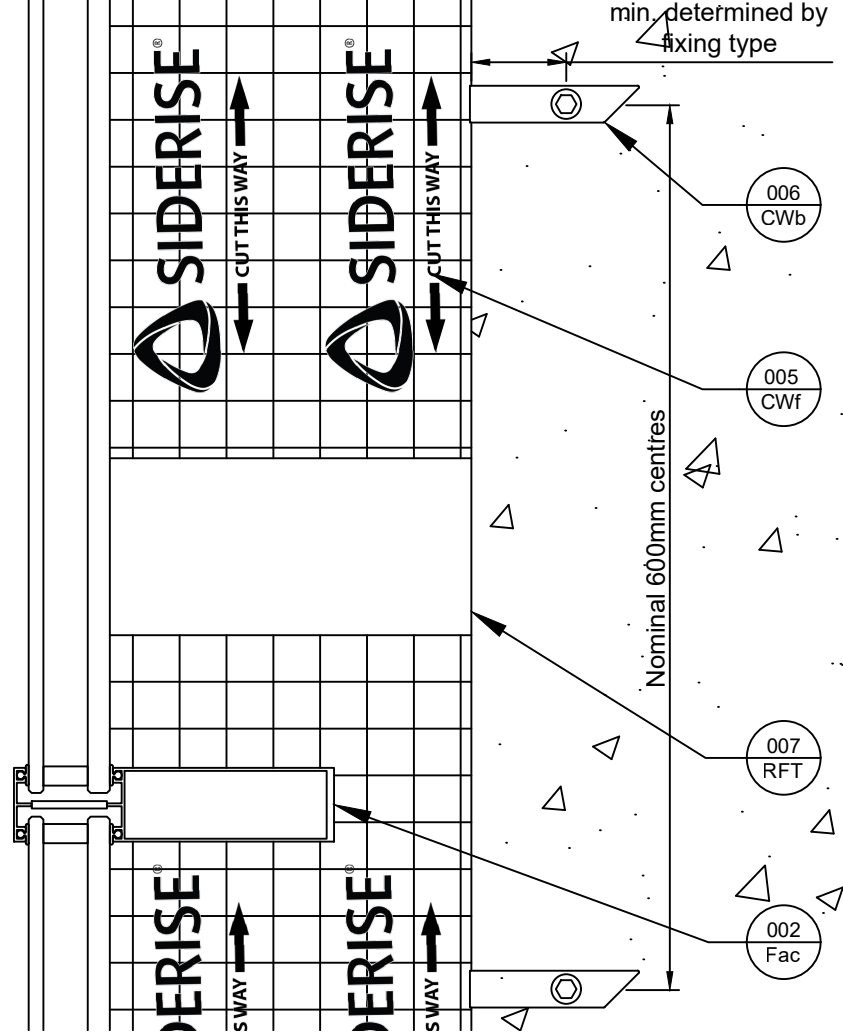


Side View



Plan View



Revisions			
Rev.	Date	By	Description
A	09-12-18	BC	First Issue
B	09-10-23	BC	Logo Update



Title
CW-FS horizontal top of slab, top of slab facade bracket
Siderise Standard Detail

Sheet
1/1

SSD0001
Date released
09/10/2023

Rev.
B