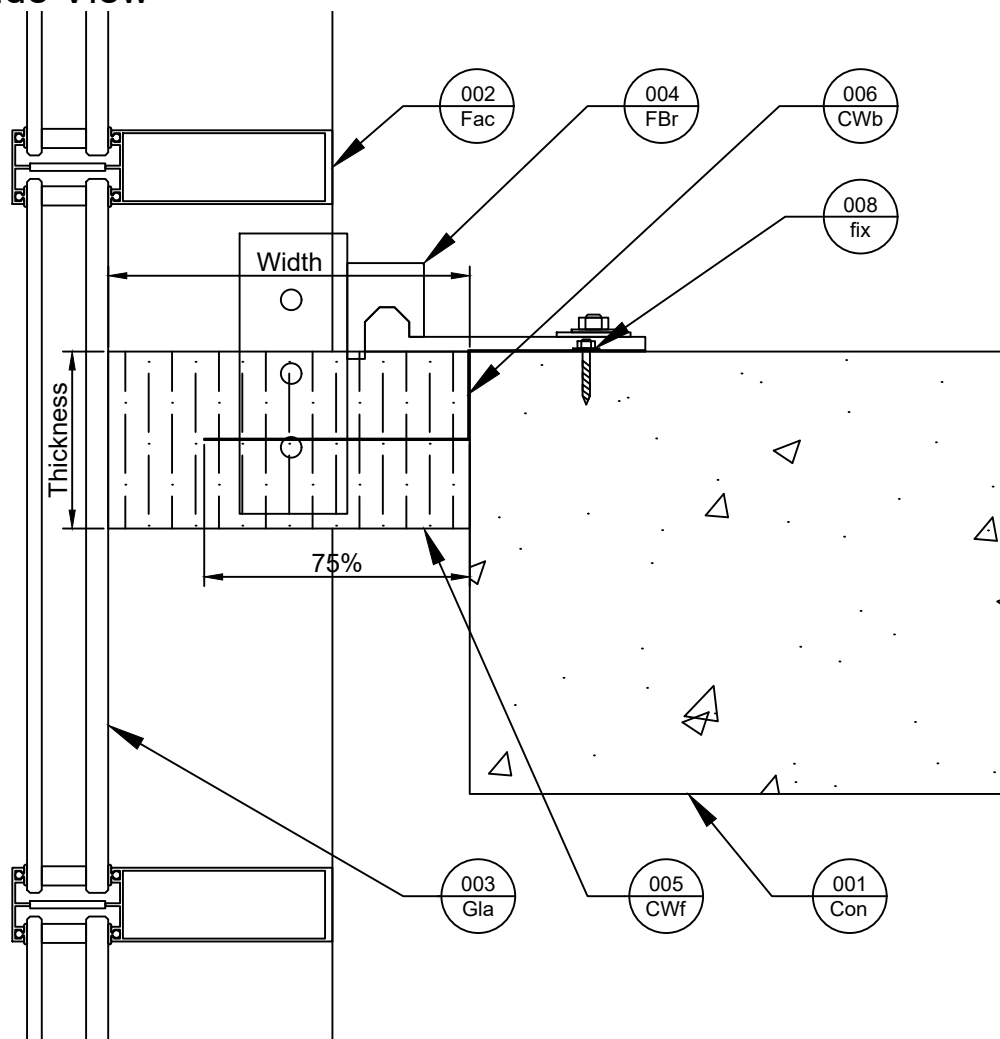
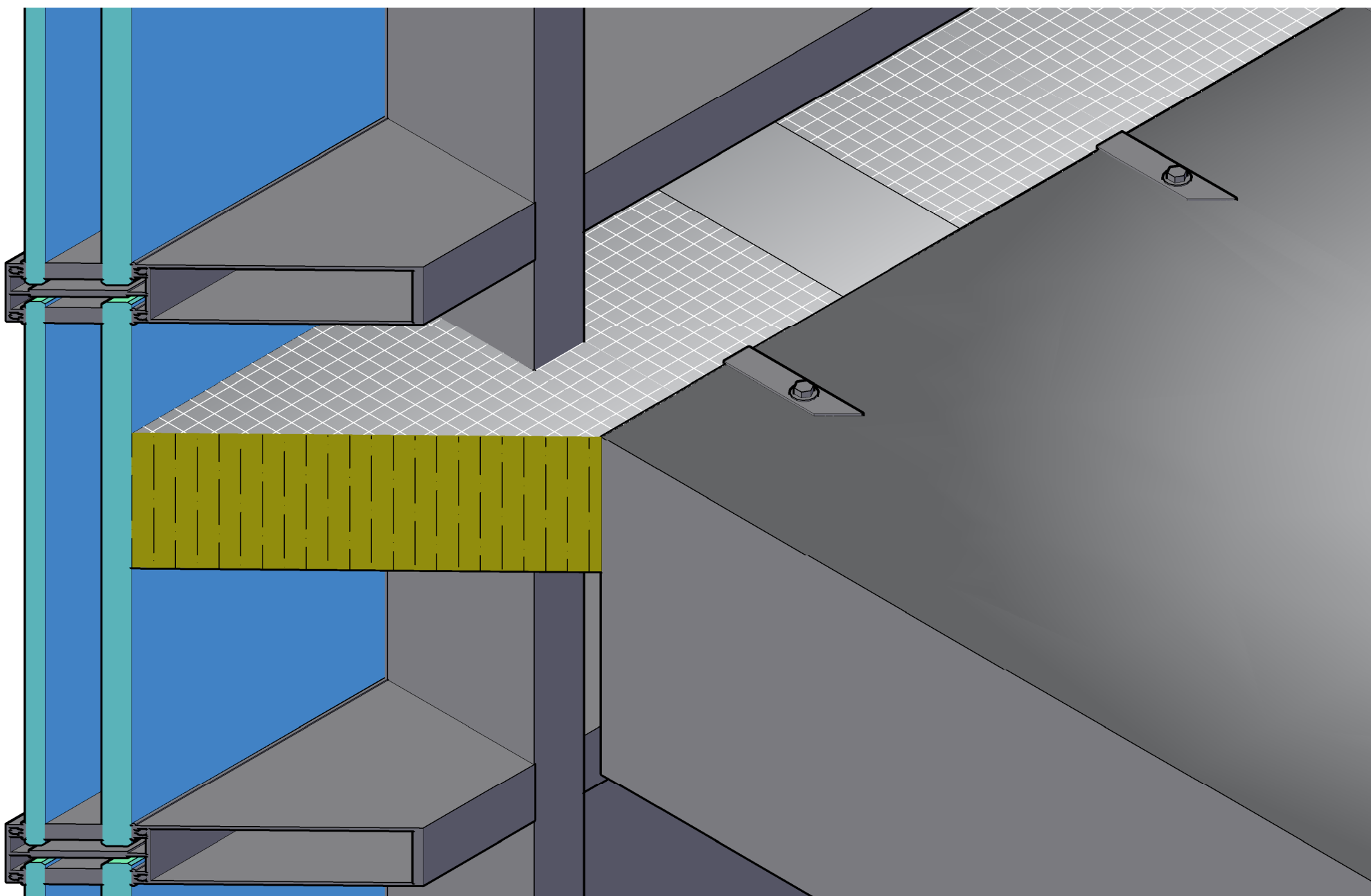
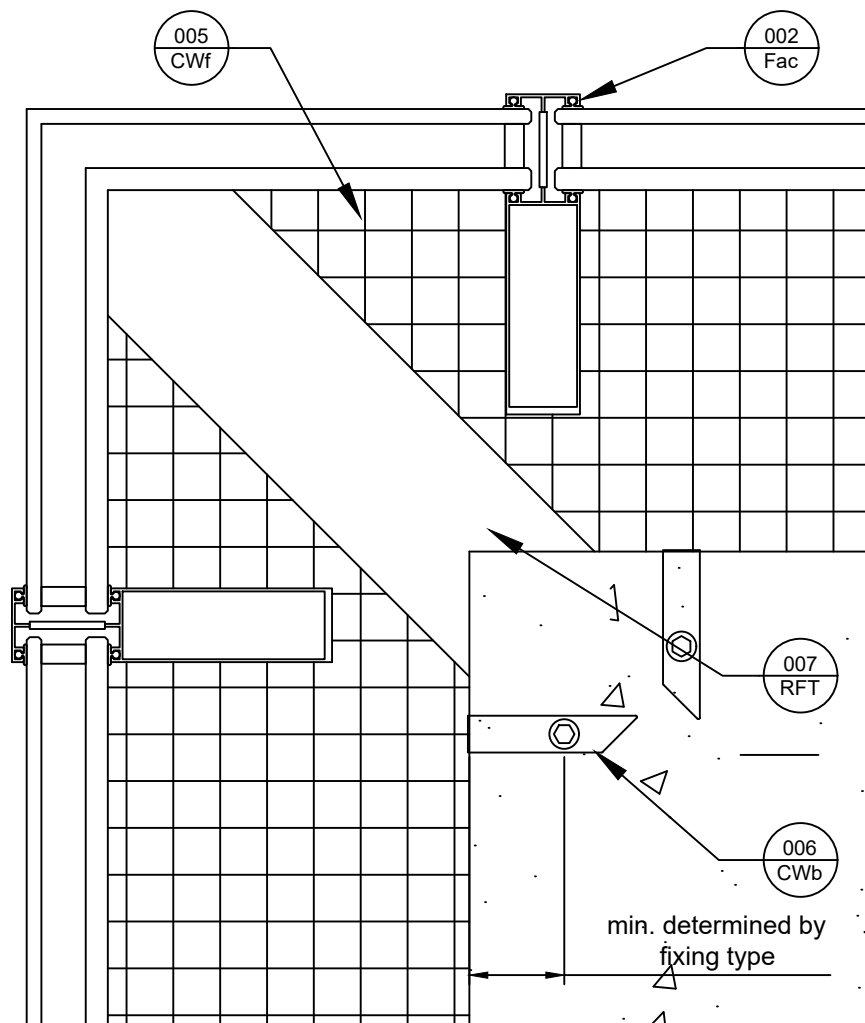


Side View



Plan View



Revisions			
Rev.	Date	By	Description
A	09-12-18	BJC	First Issue
B	30-11-23	BC	Logo Update



Title
CW-FS horizontal top of slab, 90 degree corner
Siderise Standard Detail

Sheet
1/1

SSD0010
Date released
30/11/2023

Rev.
B

