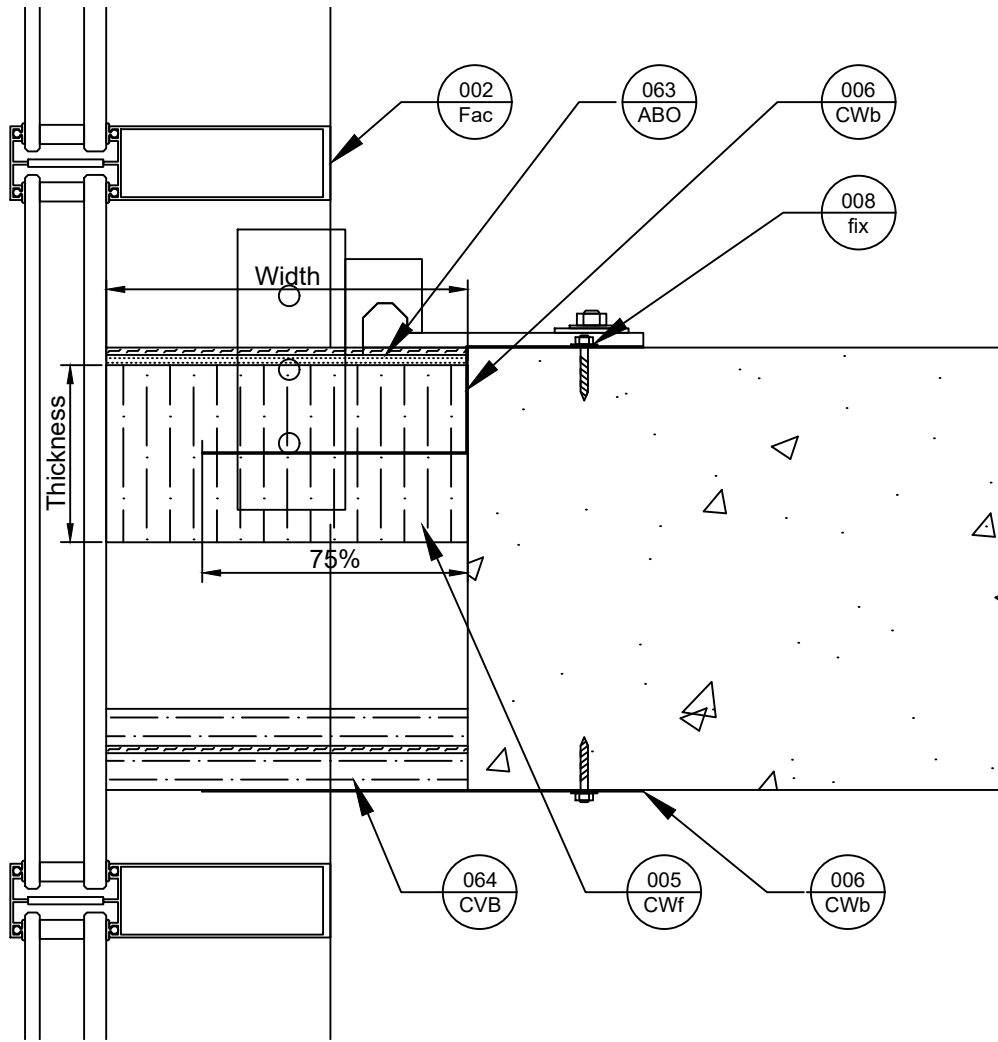
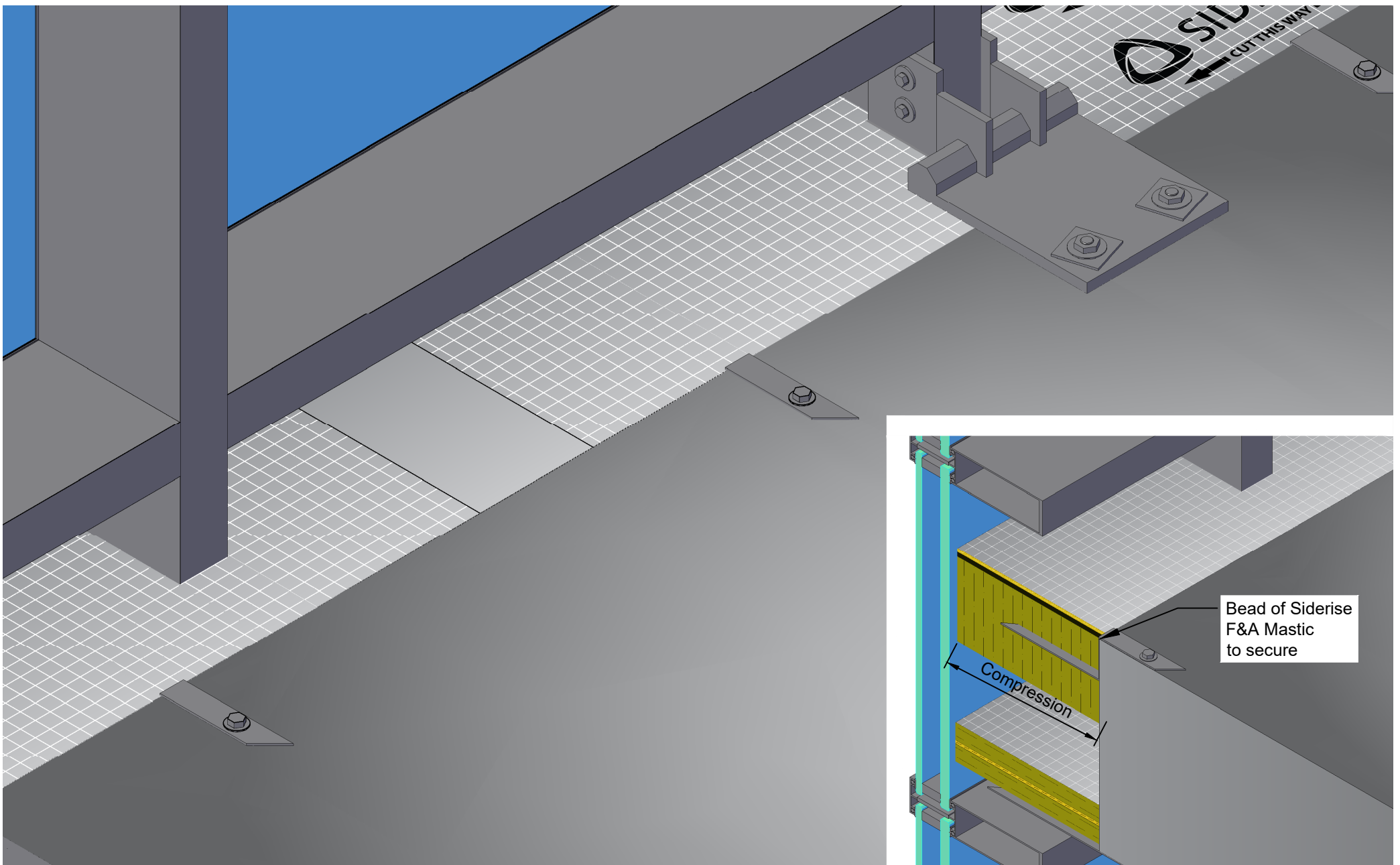
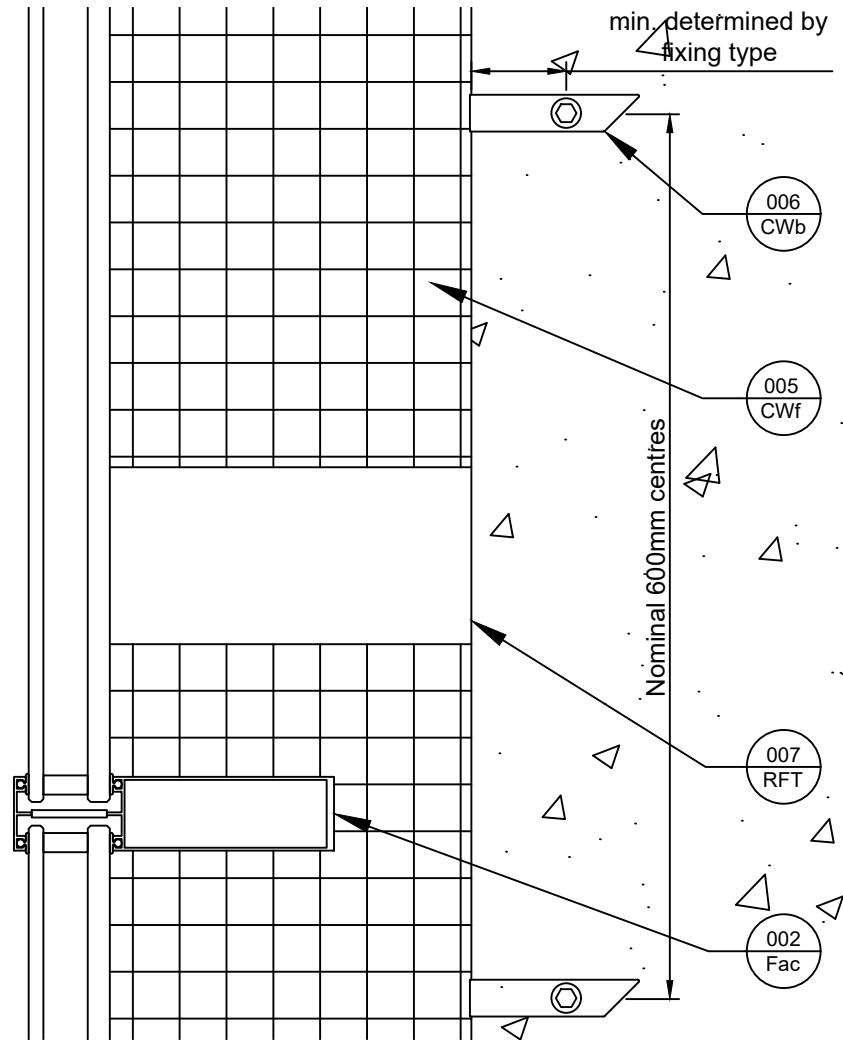


Side View



Plan View



Revisions			
Rev.	Date	By	Description
A	29-06-20	BJC	First Issue
B	30-11-23	BC	Logo Update



Title
CW-FS horizontal top of slab, with Siderise AB & CVB
Siderise Standard Detail

Sheet
1/1

SSD1321
Date released
30/11/2023

Rev.
B