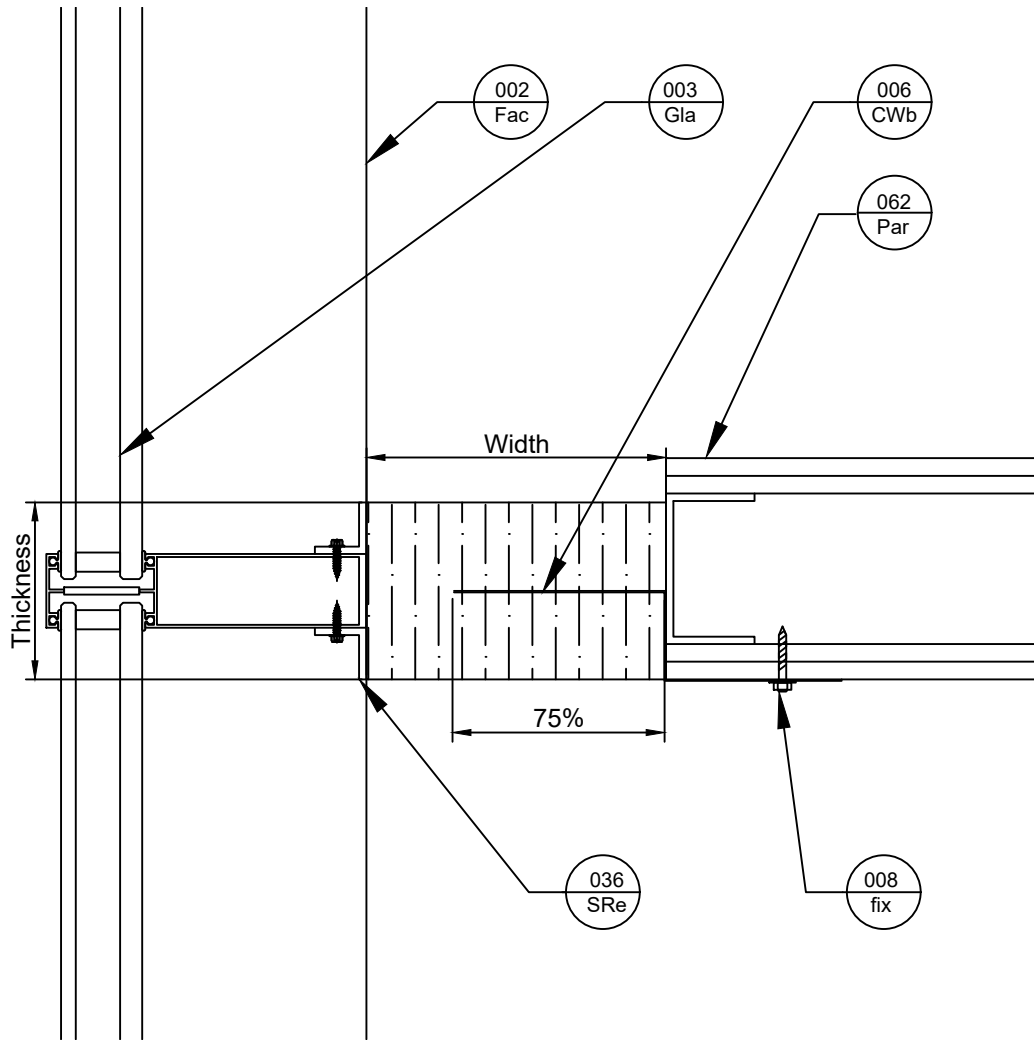
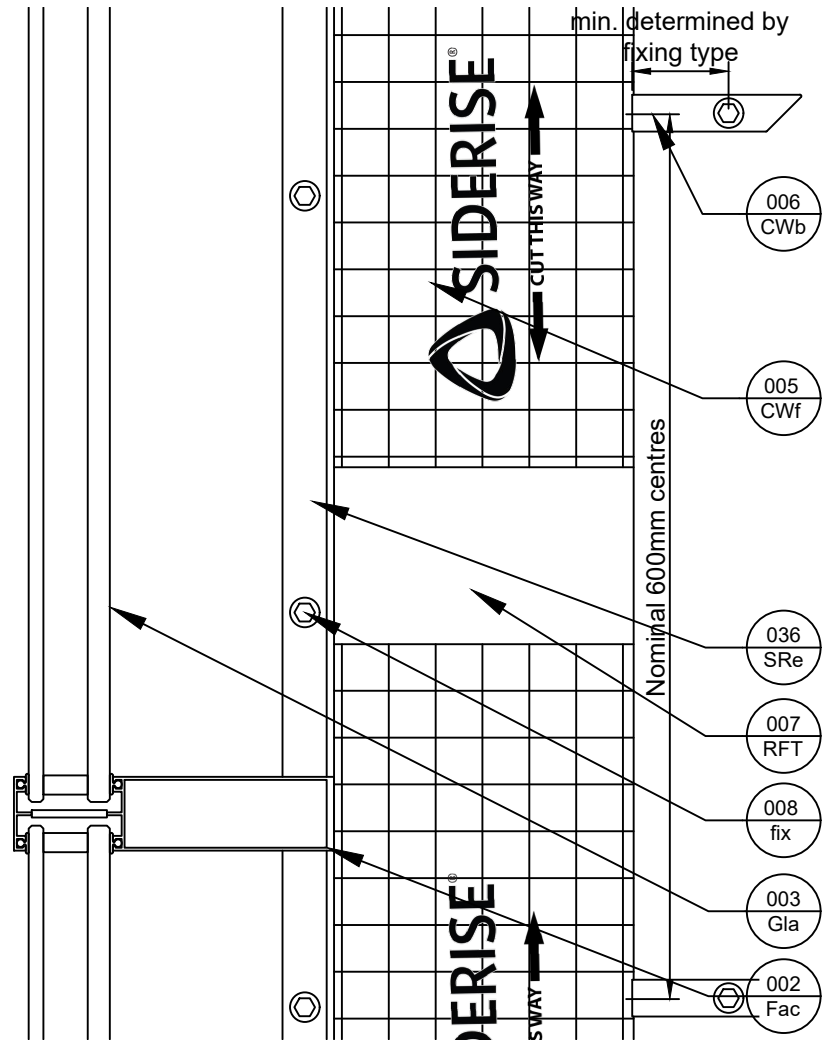


Plan View



Side View



Revisions			
Rev.	Date	By	Description
A	12-07-22	BJC	First Issue
B	30-11-23	BC	Logo Update



Title  
CW-FS vertical from partition wall to single mullion  
**Siderise Standard Detail**

Sheet  
1/1

**SSD0023**  
Date released  
30/11/2023

Rev.  
**B**

